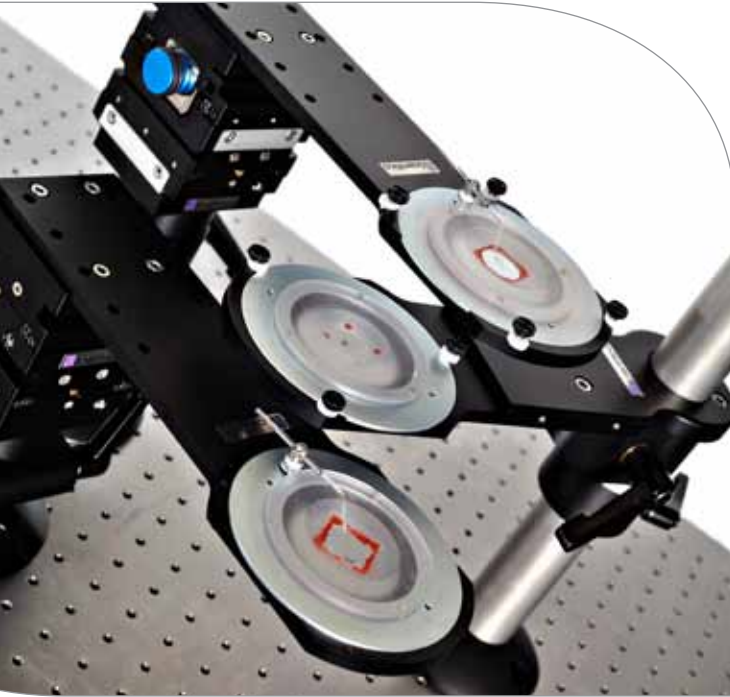


Post and Platform

Adjustable, yet stable mounting for
micromanipulators and samples



Post and Platform mounting systems

Securely mounting your tissue sample as well as your surrounding manipulators is essential for accurate and stable recordings.



Sample mounting plate option



Manipulator mounting option

Stability

Use Scientifica's post and platform mounting systems alongside any upright or inverted microscope for absolute precision. The fixed column option is constructed of stainless steel and aluminium. Weighing 8.8kg, with either a magnetic or bolt down option, for sturdiness.

When using the magnetic fixed column with a manipulator, three powerful magnets are employed each with a holding force of 75kg. This base will anchor firmly to any ferromagnetic surface.

Repetition

The mechanical stops (on all options) on the horizontal axis and height adjustable collar of up to 250mm (fixed column) combine to help users achieve complete replication of position.

No matter how often you swing the platform away from the experimental area, unique mechanical memory returns to exactly the same position each time. Users can rotate the platform in and out or move it completely. This really simplifies the initial set-up.

Flexible options to suit your needs

For either sample or manipulator mounting Scientifica offers a number of options for research requirements.

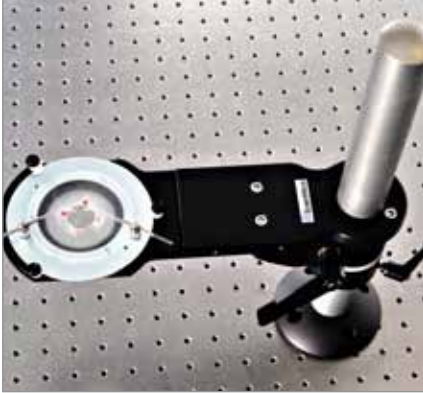
For mounting manipulators on platforms Scientifica offers either the magnetic or bolt down option for your anti-vibration table (see page 5). For mounting samples Scientifica offer either a fixed column, motorised or manual option (see page 4)



Sample mounting options

Securely mounting your tissue sample is essential for accurate, stable recordings.

By opting to mount your samples using our post and platform system, you can guarantee simple and ultra stable mounting around almost any microscope type.



Fixed column

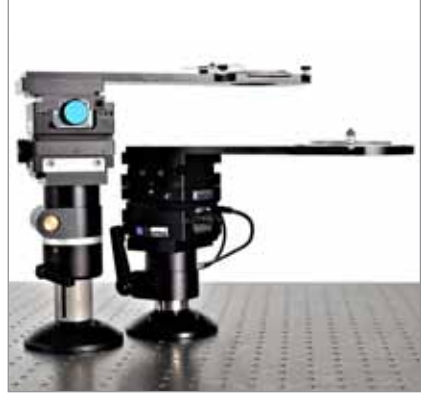
Popularly combined with moving microscope stages, these are available with magnetic or screw-down bases for easy installation straight onto your table surface.

The height of the sample can be set using the lever mechanism (min: 100mm (from surface area) and max: 290mm).

In vivo sample plate

The unrivalled stability and ease of use offered by the post and platform system can now be enjoyed by researchers studying *in vivo* samples.

With a tapped-hole pattern designed to accept a wide range of mounting systems, it's available with manual or motorised X and Y axis adjustment.



Manual or motorised sample plate

The movable sample plate offers similar benefits to the fixed post and platform, but with 25mm of fine manual control adjustment in X and Y axis to easily align your preparation in your microscope's field of view.

Fully height adjustable (min: 209mm (from surface area) and max: 254mm).



Micromanipulator mounting options

Scientific breakthroughs are built on solid foundations and precision at every step. Eliminating environmental interference through vibrations and other sources is of paramount importance in the scientific experiment.



Adaptable

Both height and horizontal angle of the platform are fully and independently adjustable, and every moving part features a sturdy quick-release lock.

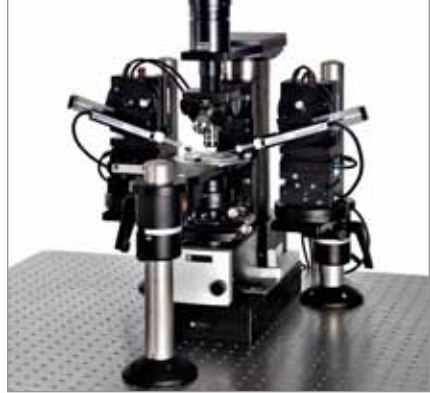
Just twist and move for easy, precise positioning. Simple, rugged and well engineered, Scientifica's designs are based on years of experience in the scientific field and are continuously tried, tested and trusted by customers worldwide.

Stable

Use Scientifica's Post and Platform alongside any upright or inverted microscope for absolute precision. Constructed of stainless steel and aluminium, this sturdy post weighs 8.8kg with the portable magnetic base attached.

Exploiting three powerful magnets, each with 75kg holding force, this base will anchor firmly to any ferromagnetic surface.

We also offer a model with a precision-tapped screw-down base for fixed mounting and total rigidity. Either attachment ensures a rock solid base that can resist environmental interference in your experiments.



Compatible

The Post & Platform Mount works in harmony with a wide range of manipulators and other devices.

Widely used to support patch clamp and sharp electrode manipulators, they are often used in a pair for two electrode recordings where absolute stability is essential.

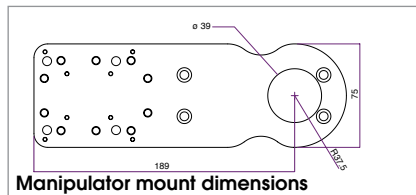
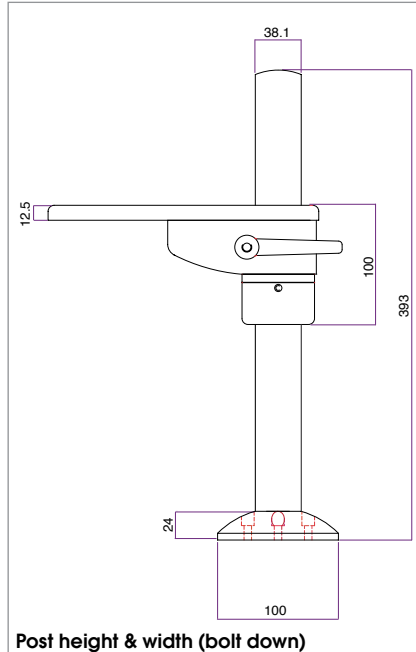
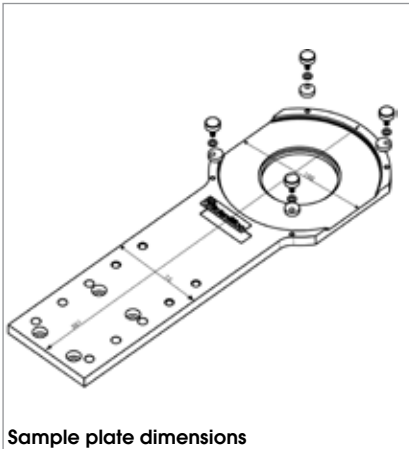
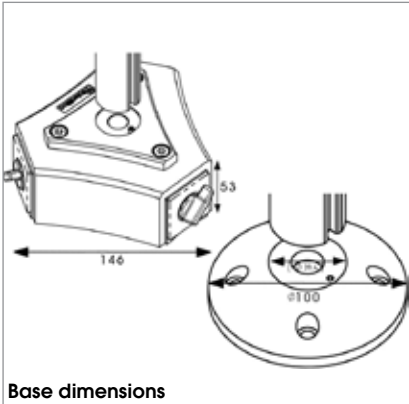


Warranty

Scientifica's success is founded on supplying superior support and application of our significant manufacturing experience. We would therefore really value the opportunity to understand your applications better and to offer no obligation advice on equipment, configurations and compatibility.

All Scientifica instruments are sold with a two-year warranty giving you complete peace of mind. This covers all defects in manufacturing and materials. In this unlikely event, Scientifica will remedy either by repair or replacement.

Our team of customer support engineers is dedicated to providing you with the very best advice and support, should you experience any difficulties with our products. With all products we offer a complete installation support service.



A guide to Scientifica mounting range

Movable Microscope



Universal Motorised Stage

OR



Manual XY Stage

+

One of the following
platform systems



SlicePlatform



Post & Platform



Inverted Fixed Platform

The Post & Platform, SlicePlatform and Inverted Fixed Platform are combined with our Universal Motorised Stage (UMS) for smooth microscope movement.

Fixed Microscope

Movable Top Plate



Movable Top Plate Motorised Movable
Top Plate

Motorised Movable Base Plate



Inverted Movable Top Plate



Inverted Movable Inverted Motorised
Top Plate Movable Top Plate

Complete Systems

All of the mounting options above are available as a package with manipulators and a microscope (either SliceScope or most major upright and inverted microscopes) - a complete turnkey solution for your research.



Revision 1.0

Tel: +44(0)1825 749933
Fax: +44(0)1825 749934
Email: info@scientificauk.com
Web: www.scientificauk.com

SCIENTIFICA LTD
Kingfisher Court
Brambleside
Bellbrook Industrial Estate
Uckfield
East Sussex
TN22 1QQ
UK

Find out more about the Scientifica range of products and interviews on our channel, including a full demonstration of our mounting range.

www.youtube.com/scientificauk

Scan Me!



Your nearest distributor

